



we move people



## Product overview



# Standard product

## Mobby 2 XL

### Standard outfitting

- Swing-up footplate
- Swing-up armrests
- Safety brake
- Standard padded seating
- Patented transport fixation system
- Choice from our standard colours



### Description

Introducing the Mobby 2 XL: Our Spacious Manual Wheelchair.

For those who need more space, the Mobby 2 XL offers broader seating and a wider backrest, providing enhanced comfort while maintaining the safety, efficiency, and ease of use of the Mobby 2. Ideal for users who require extra room or for companies that prioritize comfort over compactness.

Both our standard and XL Mobby models reflect our commitment to quality and user-centered design, ensuring a comfortable and accessible experience for all.



*A general manufacturer's warranty of 2 years applies to our products. The warranty applies to the frame and paintwork and covers any production errors that are reasonably culpable to us.*

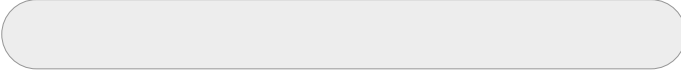
*parts subject to regular wear and tear and damages resulting directly from the regular use of our products or misuse and vandalism will not be covered under warranty.*

*batteries, wheels, and braking systems are excluded from the warranty at all times.*

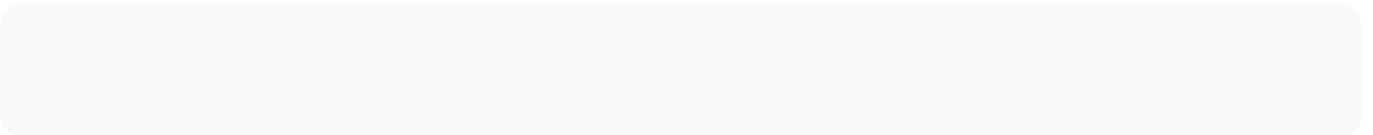
# Customisation options

## Mobby 2 XL

### Options



- Coin or card lock system
- Wall/parking holder + chain for coin/card lock system
- Keylock system
- Anti-theft pole
- Luggagerack
- Leg rests set L&R foldable
- Double automatic seatbelt XL
- Padded comfort seat 5cm
- Padded comfort back 5cm
- Bagholder per piece
- Name / logo plate
- Crutch holder



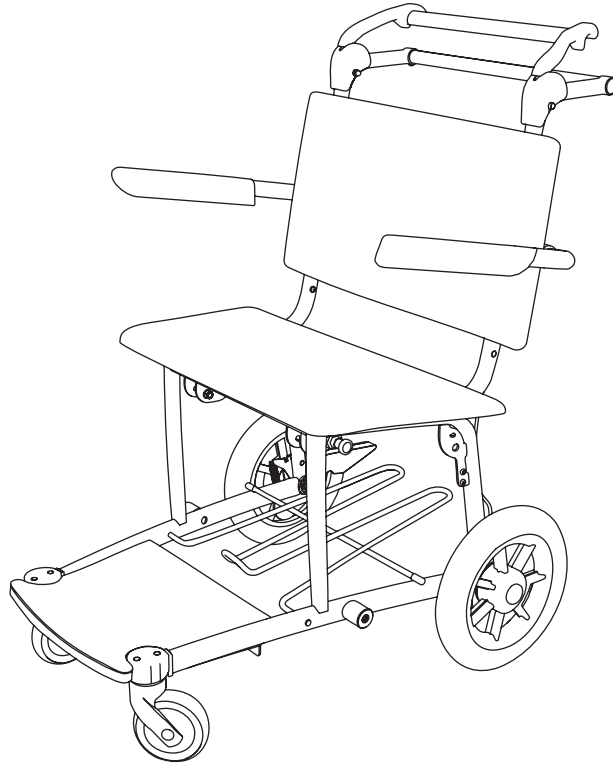
### Functionalities

Each passenger is unique, which is why the Mobby transport chair is adaptable to various needs. With adjustable features, you can customize the chair to meet the specific requirements of your organization and its passengers. Wider seating and armrest provide added space that increases comfort.

All customizations are designed to still enable linking without problem. Be mindful that the more options you equip on a Mobby, the more you increase its weight.

# Technical information

## Mobby 2 XL



## Technical specifications

- Weight 29,1kg
- Overall height 112 cm
- Overall length 100,8 cm
- Length reduction per linked Mobby 61 cm
- Overall width 70 cm
- 200kg load capacity
- Puncture proof non-marking tires
- Ground clearance 10 cm
- Effective seat depth is 420 mm, effective seat width is 560 mm.
- Brakesystem: Drumbrakes / safety system

# Order process

---

Mobby 2 XL

---

## 1. Request an open quote

Request a personalized and obligation-free quote for any products you're interested in.

Fill out [our quick form](#) to get started!



## 2. Plan a meeting

Use Teams to plan a virtual meeting with our professional sales department.

Schedule your meeting [here](#) and we'll be ready to assist you.



We're here to make every step of your journey with us enjoyable and hassle-free.  
If you have any questions, feel free to reach out – we're always happy to help!





## Special Mobility BV

Nijverheidsstraat 12a  
7041 GE 's-Heerenberg  
The Netherlands

### Contact us at:



+31 (0)314 - 66 72 10



[info@specialmobility.eu](mailto:info@specialmobility.eu)



[www.specialmobility.eu](http://www.specialmobility.eu)